

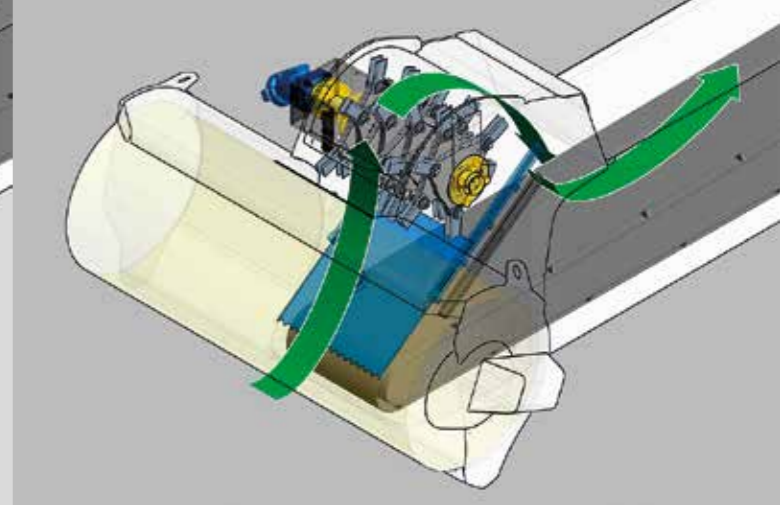
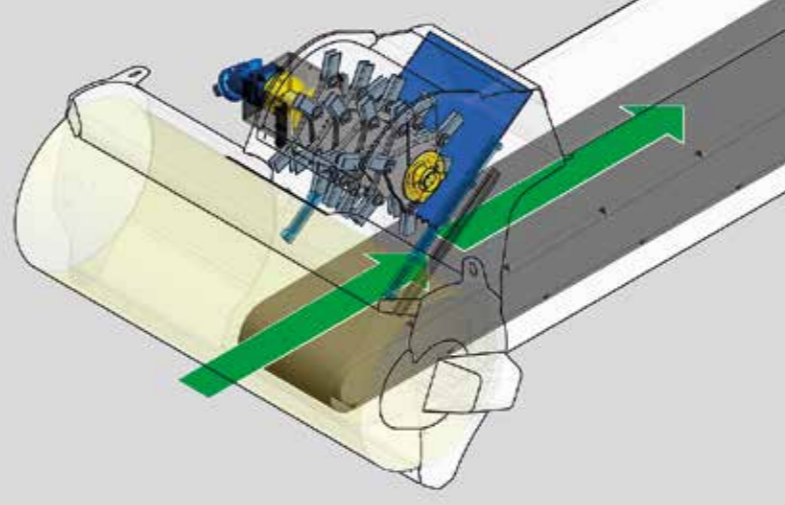


**GULLIVER**  
TECHNOLOGY

**GULLIVER**<sup>®</sup>

Horizontal paddle self-propelled mixer feeder

  
**SGARIBOLDI**  
INNOVATION, PERFORMANCE, PEOPLE



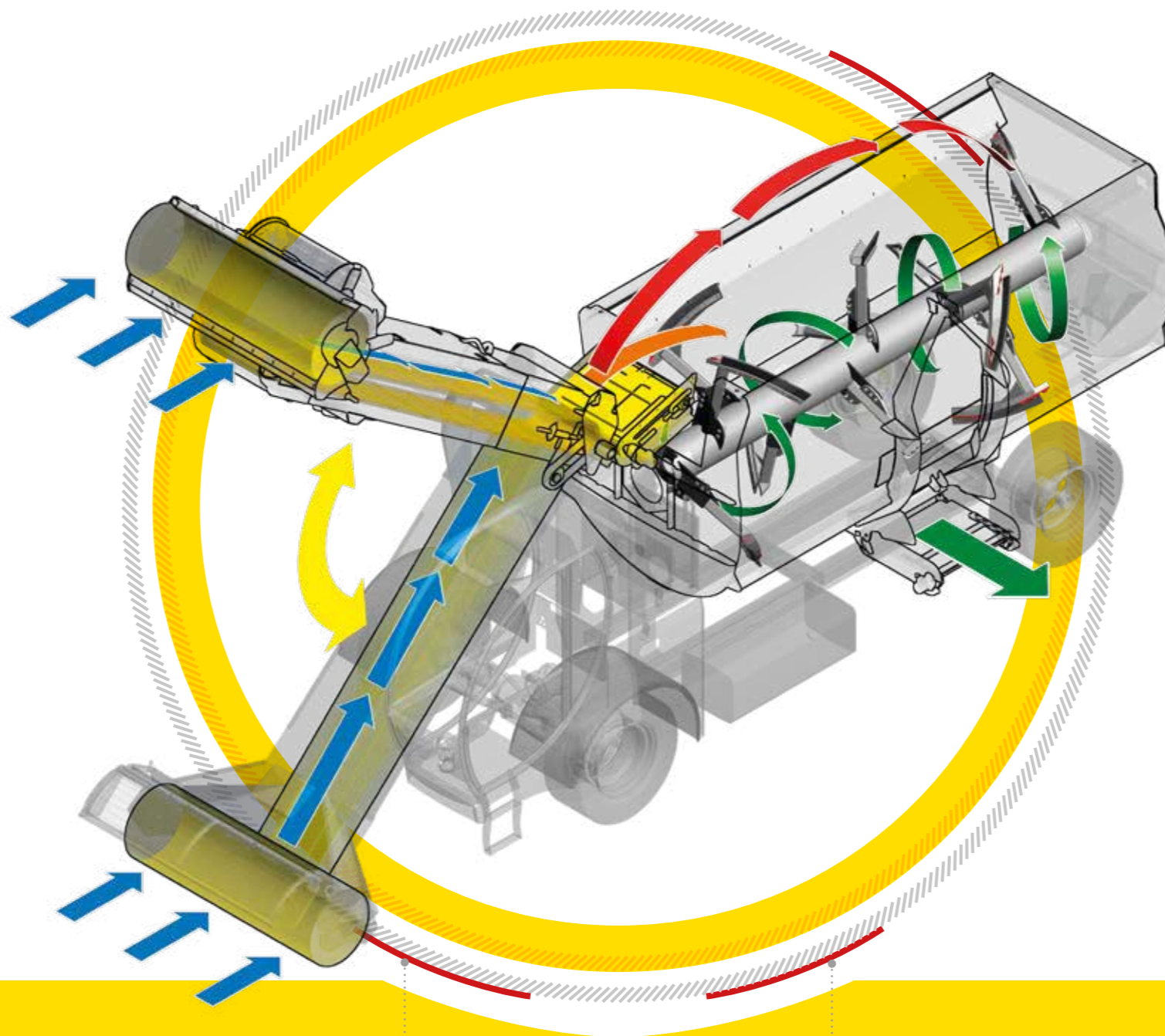
## PADDLE MIXING SYSTEM

Everything on the Gulliver model is designed to ensure **excellent mixing**; all the products flow uniformly into the mixing tank and are gently processed preserving their structures.

### Cuts first, then mixes

Intelligent loading and unparalleled mixing. The separation of the cutting and mixing phases with this system ensures:

- Greater precision
- Greater delicacy
- Reduced times
- Decreased consumption



## Better performance with the slasher!

The cutting of long fiber products is fast and precise with the use of slasher, fully integrated into the loading system of your mixer.

This technology, developed to better act on the structure of each single ingredient, will allow you to definitively abandon the straw chopper and accelerate work operations through a single tool capable of cutting products with great speed and accuracy. It can be interested or disconnected as needed, allowing the operator total control over the cutting of individual products before the mixing phase, being able to vary the length according to specific needs.

## WTR system\* Working Time Reducer

Designed and patented by Sgariboldi, this system is capable of spreading the loaded products uniformly throughout the mixing tank, according to the specific weight of any product.

This assures reduced mixing time and knocks down consumption.

\*Available on 25, 28 and 31 m<sup>3</sup> capacity

## Different flows: optimization of loading and mixing action

The mixing tank is loaded uniformly, thanks to the patented electronic system, while the paddles gently mix the loaded ingredients.

Optional **stainless steel partial lining** of the mixing tank

**STAINLESS STEEL** *inside*

# 6000 SERIES:

## THE PERFECT COMBINATION

The 6000 series, is a range of machines of the latest generation, designed to meet the specific requirements of farmers. Sgariboldi's experience led to the development of this series, which represents a perfect combination of compactness, agility and performance.

### Agile and compact

Ideal for small and medium-sized farms, the exceptional dimensions allow the maximum maneuverability, even in the most narrow spaces.

The machine's excellent handling can be improved with the optional 4 wheel drive and steering systems.

- The **175 hp 4-cylinder VOLVO STAGE V** engine is placed transversely between the cab and the mixing tank order to offer an excellent working view and ideal weight distribution
- Equipped with **FAN DRIVE**, an intelligent device that carries out an electronic control on the cooling needs of the diesel engine allowing significant fuel savings and a remarkable noise reduction.
- The **hydraulic oil cooler** built into the diesel engine cooler allows less maintenance and a greater reliability.



### GULLIVER® 6000

Equipped with STAGE V engines

- Available from 11 to 18 m<sup>3</sup>
- Diesel engine located between the cab and the mixing tank
- Also available with 218 hp diesel engine
- Front wheel drive
- Reversible Fan Drive for the diesel engine cooler
- Conveyor arm with inox plates in wearing areas
- 2 speeds of the auger
- 2 speeds of loading belt
- Ventilation and heating system
- Electronic control of discharge elevator speed
- Weighing system with programmable monitor
- Wheel drive with automatic motor ( 0 - 20 km/h)
- Loading drum 1900 mm, conveyor arm width 600 mm
- Slasher on the conveyor arm width 600 mm
- Rear hopper
- Available also in a version without the conveyor arm



**Excellent weight distribution,**  
for better machine balance  
during all work phases



# 7000 SERIES:

## COMPACT AND POWERFUL

The 7000 series is back on the market in a new and improved version, perfect to meet the needs of farmers who need a **compact size** machine but capable of great performance.

## Best performance, compact size

Being an intermediate solution between the 6000 series and 8000 series, **7000 series** is the result of an accurate design which, accompanied by first-rate components, allows maximum performance with reduced power consumption, significant energy savings and maximum agility thanks to its small size.

- The **218 hp 4-cylinder VOLVO STAGE V** engine is placed transversely between the cab and the mixing tank in order to offer an excellent working view and ideal weight distribution
- Equipped with **FAN DRIVE**, an intelligent device that carries out an electronic control on the cooling needs of the diesel engine allowing significant fuel savings and a remarkable noise reduction
- The **hydraulic oil cooler** built into the diesel engine cooler allows less maintenance and a greater reliability
- The **limited-slip front axle** allows a steering angle of **almost 40 degrees**, ensuring great handling, that can be further increased by the 4-wheel steering (optional). The 4-wheel-drive version is also available as an option.

GULLIVER  
TECHNOLOGY



## GULLIVER® 7000

Equipped with STAGE V engines

- Available from 18 to 25 m<sup>3</sup>
- Diesel engine located between the cab and the mixing tank
- Available also with 238 diesel engine
- Steering angle of 40°
- Reversible Fan Drive for the diesel engine cooler
- Low discharge door, vertical slide and chain discharge elevator
- 2 speeds of the auger
- 2 speeds of loading belt
- Differential lock limited-slip
- Conveyor arm with inox plates in wearing areas
- Ventilation and heating system
- Electronic control of discharge elevator speed
- Weighing system with programmable monitor
- Wheel drive with automatic motor (0 - 25 km/h)
- Loading drum 1900 mm, conveyor arm width 600 mm
- Slasher on the conveyor arm width 600 mm (optional)
- Grammer Maximo Comfort air seat with heating intergrated
- Rear hopper
- Also available in a version without conveyor arm

Great **agility** and reduced power consumption



Steering angle of **40°**



# 8000 S SERIES: POWER AND CONTROL

With the aim of create a new standard and ferry our flagship series into the future, Sgariboldi launches 8000 S, a new series of self-propelled heavy duty that transcends the market and the classics design limitations, unable to guarantee unrivaled performance combined with an immersive driving experience. Ideal for the large farms, the new 8000 S series stand out for the following features:

- **New design:** a sleek new look that embodies the Sgariboldi design philosophy, as well as offering an emotional experience to our customers
- **A vastly improved and enhanced hydraulic system** that limits dispersions and guarantees more power availability and lower fuel consumption, unrivaled in performance and efficiency
- **Powerful software:** conceived with I-Cab II and then transferred to Renesis II, enabling a total interaction with the machine. With an excellent controls standard the operator will experience ease and control like never before.
- **Improved load capacity** thanks to an excellent weight distribution
- **Enhanced cooling of the engine compartment**

## The top of the line

A wide range of features makes the 8000 series complete and versatile:

- A 6-cylinder engine positioned at the rear
- Automatic transmission
- Rear wheel drive or 4 wheel drive
- 2 or 4 wheel steering
- Hydraulic suspensions with levelling system (optional)
- Equipped with one of the most advanced hydraulic systems on the market
- Mixing tank cover designed to reduce the amount of dust generated by the mixing system (optional)

GULLIVER  
TECHNOLOGY



## GULLIVER® 8000

Equipped with STAGE V engines

- Available from 18 to 31 m<sup>3</sup>
- John Deere diesel engine located at the rear
- Available also with 300 hp diesel engine
- Rear wheel drive
- Low discharge door and chain discharge elevator
- Conveyor arm with inox plates in wearing areas

- 2 speeds of loading belt
- 2 speeds of the auger
- Ventilation and heating system
- Electronic control of discharge elevator speed
- Weighing system with programmable monitor
- Reversible fan FLEXXAIR for the diesel engine cooler
- Air conditioning
- Grammer seat Maximo Comfort with heating
- Slasher on the conveyor arm width 600 mm
- Wheel drive with automatic motor (0 - 25 km/h)
- Monitor with one video camera
- Lateral hopper
- Available also in a version without the conveyor arm



Variable engine cooling flow



No flow in the neutral position

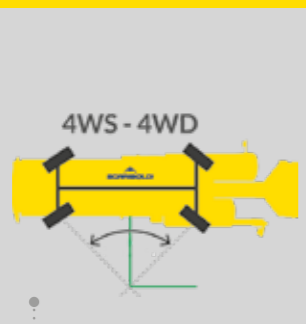


Flow reversal and radiator cleaning





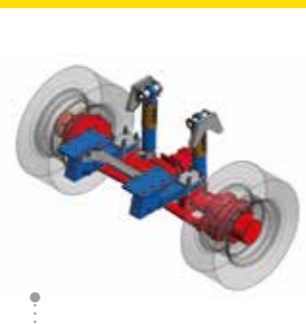
01 Maximum speed available up to 40 km/h



02 4WS and 4WD version



03 Discharge completely customizable

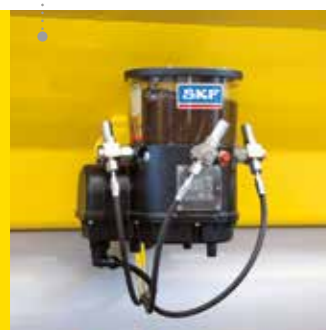


04 Hydraulic suspensions for the front axle

## GENERAL ACCESSORIES



05 Centralised greasing system



06 Air conditioning



07 Complete mixing tank cover



08 Rotating magnet on the discharge elevator



## GULLIVER® 6000

		GULLIVER 6011	GULLIVER 6014	GULLIVER 6018
Capacity	m <sup>3</sup>	11	14	18
Front wheel drive axle S150 type		Axle width L=1754	Axle width L=1754	Axle width L=1754
Length	mm	9000	10000	10500
Max. width	mm	2180	2180	2450
Height	mm	2600	2700	2900
Loading drum width	mm	1900 x 600	1900 x 600	1900 x 600
Loading height	mm	4750	4750	4750
Front and rear wheels		285/70-19,5	315/60-22,5	315/60-22,5
Front exterior track	mm	2060	2100	2100
Rear exterior track 4WS rap. 1/1	mm	2050	2280	2450
Low discharge door, vertical slide and chain discharge elevator		670 x 800	820 x 800	820 x 800
4-cylinder VOLVO diesel engine TAD581VE Stage V	kW / HP	129 / 175	129 / 175	129 / 175
Weight	Kg	9000	9500	10000

## GULLIVER® 7000

		GULLIVER 7018	GULLIVER 7021	GULLIVER 7025
Capacity	m <sup>3</sup>	18	21	25
Front wheel drive axle OMSI 432 8 col		Front	Front	Front
Length	mm	10300	10800	10000
Max. width	mm	2500	2500	2700
Height	mm	2850	2850	3550
Loading drum width	mm	1900x600	1900x600	1900x600
Loading height	mm	5300	5300	5300
Front and rear wheels		385/55 R22,5	385/55 R22,5	445/50 R22,5
4-cylinder VOLVO Diesel engine- TAD-582VE Stage V	kW / HP	160 / 218	160 / 218	160 / 218
Weight	Kg	12000	13000	14000


## GULLIVER® 8000 S

		GULLIVER 8018	GULLIVER 8021	GULLIVER 8025	GULLIVER 8028	GULLIVER 8031
Capacity	m <sup>3</sup>	18	21	25	28	31
Wheel drive / Wheel gearbox- axle type:		Rear RF66	Rear RF66	Rear 432/10	Rear 432/10	Rear 432/10
Length	mm	10000	11000	10500	11000	11500
Max. width	mm	2550	2550	2700	2700	2700
Height	mm	3000	3000	3500	3500	3500
Loading drum width	mm	1900 x 600	1900 x 600	1900 x 600	1900 x 600	1900 x 600
Loading height	mm	5000	5000	5000	5000	5000
Front wheels		385/55-22,5	385/55-22,5	445/65-22,5	445/65-22,5	445/65-22,5
Rear wheels		385/55-22,5	385/55-22,5	445/65-22,5	445/65-22,5	445/65-22,5
Front track	mm	2200	2200	2600	2600	2600
Rear track	mm	2550	2550	2670	2670	2670
6-cylinder J.D. Engine 6068HI550 Stage V	kW / HP	185 / 248	185 / 248	185 / 248	185 / 248	185 / 248
Weight	Kg	12000	13000	16000	17000	18000

The technical data and characteristics indicated in the tables will vary depending on the optionals mounted on the machine

  
**SGARIBOLDI**




 +39 0377 430 405

 [sgariboldi.it](http://sgariboldi.it)

 [info@sgariboldi.it](mailto:info@sgariboldi.it)

 Sgariboldi

 SgariboldiOfficial

 +39 0377 430 415

 [marketing@sgariboldi.it](mailto:marketing@sgariboldi.it)

 [sgariboldi.official](https://www.instagram.com/sgariboldi.official)

 SGARIBOLDI Srl



SGARIBOLDI S.r.l. Via Pietro Nenni 15 | 26845 Codogno - Lodi (Italy)

[www.sgariboldi.it](http://www.sgariboldi.it)